



U.S. PATENT # 9,850,016

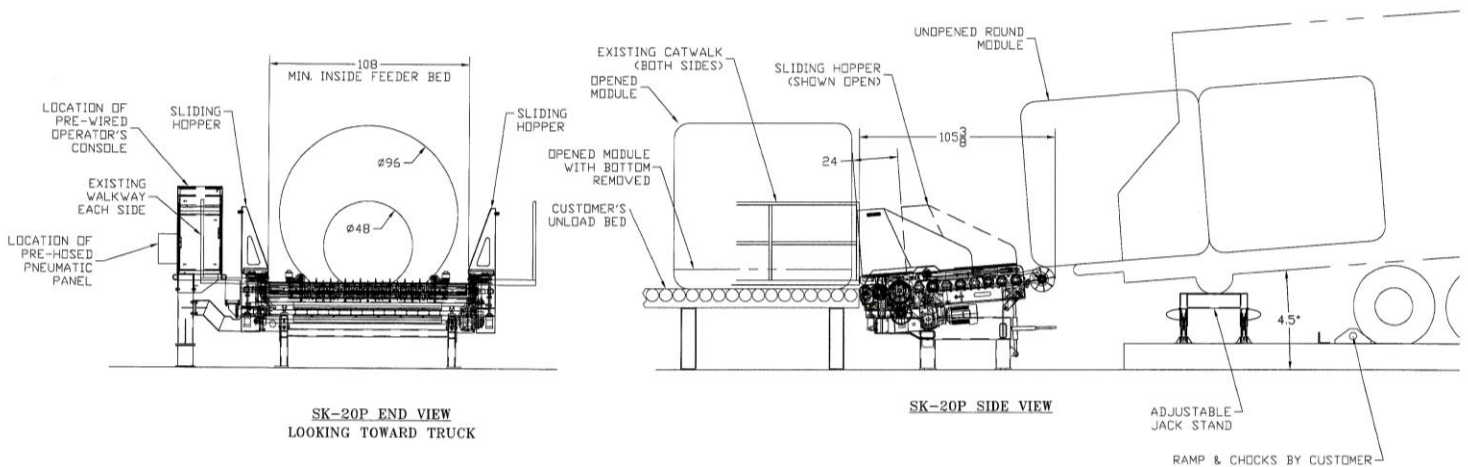
2020 MODEL SK-20P ROUND MODULE OPENERS

NOW OFFERING 2 MODELS:

SK-20P FOR SPINDLE PICKED COTTON ONLY

SK-20PS FOR STRIPPER OR SPINDLE PICKED COTTON

“WORK SMARTER NOT HARDER”



NEW FEATURES:

- New “SPUR SPIKE” design drastically improves grip on plastic during removal and is hardened for longer life.
- New “OSHA APPROVED WIRED PENDANT WITH SAFETY MAT” allows control of machine from below to clear chokes thus improving safety.
- New “SWEEPING COLOR SENSORS” continuously scan bottom of the module searching for plastic contamination.
- New “SLIDING HOPPER SIDES” prevent cotton spillage and greatly improves safety at operator entry point onto bed.



The only machine on the market today that:

- Can unload (4) modules from module truck in 90 seconds
- Has an optional built in module up-ender for badly damaged and water-soaked modules
- Can easily be added to end of feeder bed

MFG BY COTTON MACHINE WORKS, LLC.
DESIGNED BY CTC DESIGN, INC.

MAILING
P.O. BOX 4211
CORDELE, GA 31010

Tel: 229-273-1374
Fax: 229-273-4343

SHIPPING
106 N. 7th ST.
CORDELE, GA 31015

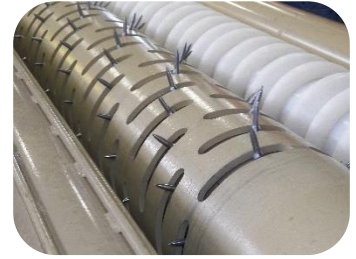
FEATURES

"SMART TECHNOLOGY"

(5) Continuous scanning color sensors are mounted below transfer roller aimed upward and are mounted on Pivotal brackets which allow sensors to sweep the entire bottom of the module. Color sensors can detect up to 16 different colors of wrap. When plastic wrap is detected, the machine sounds an alarm and stops. The Reverse Transfer Roller button is pressed to remove plastic. This feature minimizes contamination from wrap into the gin. All sensors are kept clean by an air blast every minute.



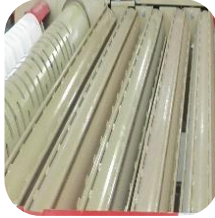
SHELL, SPIKE, TRANSFER, & CLEAN- OUT ROLLER ASSEMBLIES



SPIKES EXTENDED



DRIVE SYSTEM FOR SPIKE, SHELL, & FEED ROLLERS W/O COVERS



FEED ROLLERS



DOFFING SYSTEM AS VIEWED FROM BELOW WITH SAFETY CABLE SWITCH



ADJUSTABLE CONSOLE STAND



DRIVE SYSTEMS FOR FEED & TRANSFER ROLLER



ROTARY SLITTER KNIFE & KNIFE ARM



SWEEPER



MANUAL BED ANGLE ADJUSTMENT



PUSH BUTTON SYSTEM W/TOUCH SCREEN

ADVANTAGES:

- Opens 4 modules directly from module truck in less than 1 ½ minutes
- Reduces labor to 2 employees including operator
- Frees up handling equipment & employees (no double handling)
- Easily added to end of unload bed
- Processes modules end to end which is most efficient and consistent feed method
- Ships as one piece completely assembled, pre-wired, pre-hosed & pre-tested
- Stand Mounted Operators Console allows operator easy access to controls from catwalks on feeder
- Electrical and Pneumatic service in the gin can also be installed before the machine arrives and all that remains is to anchor bolt the machine in place
- Unloads rectangular and round modules
- Unwraps without flipping or turning the module thus maintaining original shape and density
- Sweeper with clutch removes stalks and mud from bottom of round module (clutch reduces spillage)
- Gin Friendly with Standard Components made in the USA
- Operator's console is mounted on customized stand to fit your gin
- Operator's console can be mounted on either side of machine
- Allows for In-Season Installation

SPECIFICATIONS:

- Driven by (1) 7 ½ HP motor with gear box & (1) 3 HP motor with gear box
- Hardened rotary knives slit 4ft.-8ft. dia. Modules
- Manual height adjustment to match trucks
- Push button station with touch screen
- Variable frequency drives and PLC controls
- Safety mats and beacon help protect operator from injury
- Pneumatic system includes sparkless knife motors, cylinders, valves, manifolds, regulators, gauges, lubricants, fittings, hoses, and filters
- Modem which allows for trouble-shooting and program changes by phone lines.

OPTIONS:

- Optional Module Up-Enders with tilting forks built into feeder bed stands badly damaged round modules on end thus allowing manual removal of wrap. (PATENT PENDING)
- Reclaiming belted conveyor system removes bottom wrap & loose cotton from underneath machine automatically